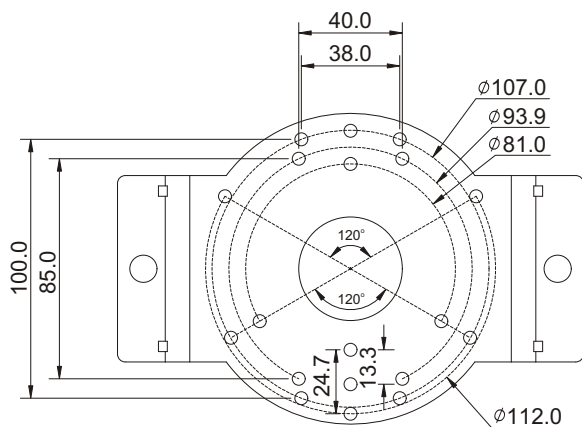
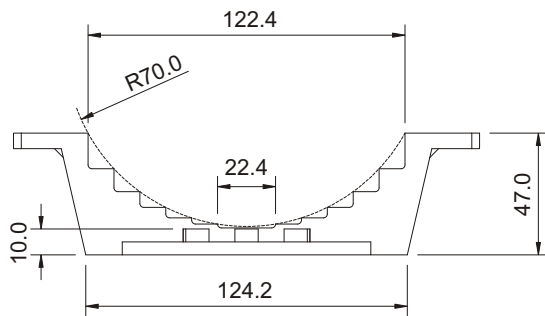
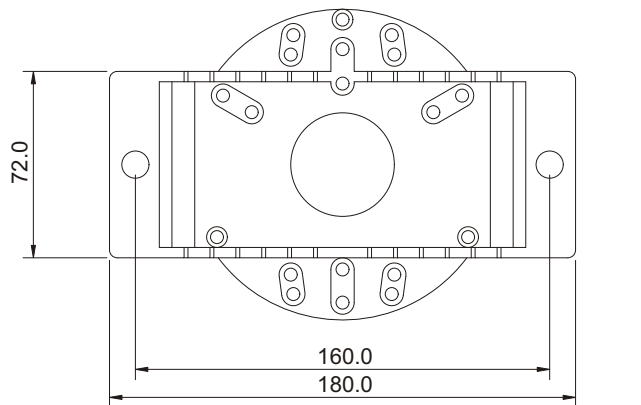
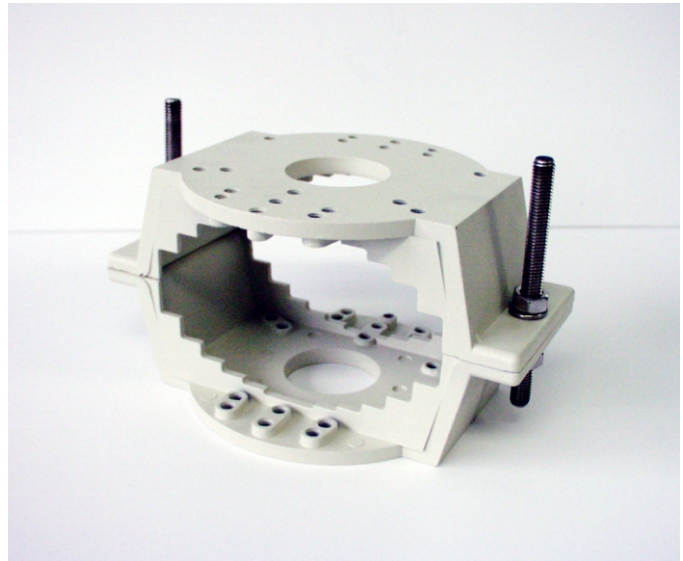


A-CM151 Mount

Pole Mount

PRODUCT FEATURES

- . Low cost
- . Die cast and aluminum
- . Easy to install
- . Maximum load 63.5 lb (25.0 kg)



Unit :mm

SPECIFICATION

Enclosure mounting (4) M6 x 14mm, (8) M6 x 20mm
pan head Machine screw (supplied).
(2) M8 x 100mm bolt (supplied).
(4) M8 hex nut (supplied).
(4) M8 spring washer (supplied).

Construction Die cast and aluminum
Finish Light-gray polyester powder coat

Maximum load 63.5 lb (25.0 kg)

Dimension See dimensional outline

Weight Unit Shipping
1.64 lb (0.75 kg) 2.12 lb (0.97 kg)

Note: When used with a bullet camera only two screws are necessary for a secure fit.