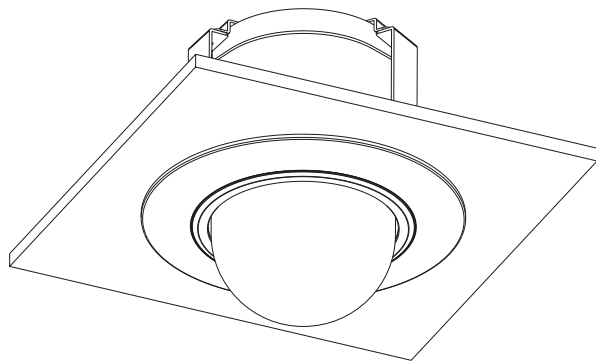
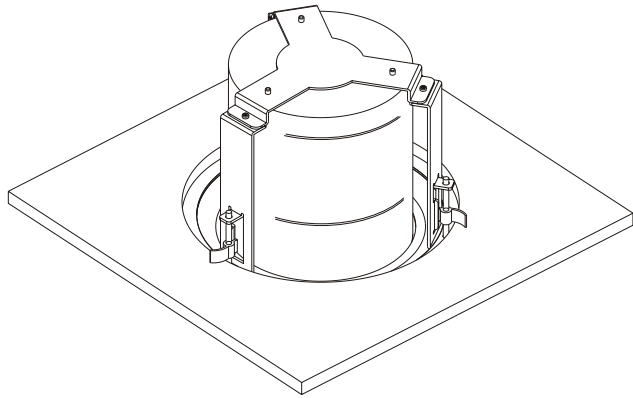


FLUSH MOUNT HARDWARE

PRODUCT FEATURES

- . Easy to Install
- . Indoor Applications
- . Steel construction
- . For use with fastrax domes
- . Cable feedthrough hole conceals wiring
- . Light duty ceiling mount



SPECIFICATIONS

MODEL

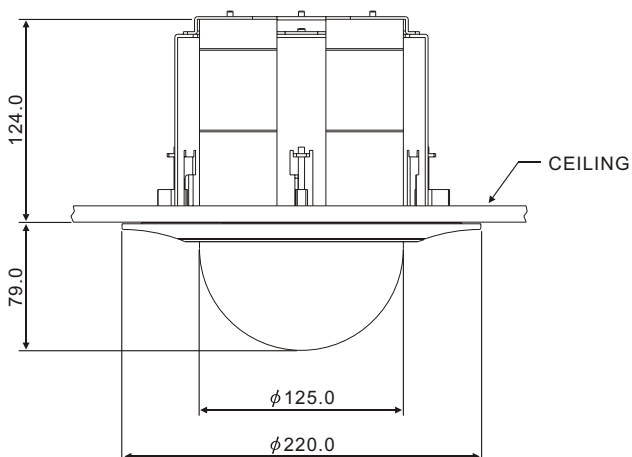
TMSD1 Flush Mount Hardware

DESCRIPTION

This mount enables the dome to be mounted to the suspended ceiling. The mounting clamps, which are affixed to the ceiling tile, attach directly to the dome's mounting base for a quick and easy installation

GENERAL

Construction	Steel
Maximum Load	Approx 4.4 lbs (2kg)T



Unit: mm